

HF 360-2

DALI-2 Input Device - concealed
 EAN 4007841 086619
 Article number 086619



high frequency sensor 360°



max. Ø 12 m



IP20



ideal 1 - 2.5 m



2 - 2000 lux



temperature



air humidity



energy saving



CE



KNX

Function description

Smart surveillance professional. The HF 360-2 from the new Control PRO 2 range. Modern look and intelligent 360° HF sensor technology – ideal for stairwells and toilet facilities with cubicles. Conveniently adjusted and interconnected via Bluetooth. Interfaces: COM1, COM2, DALI-2 APC, DALI-2 IPD, KNX, IP and BT IPD (Slave). Mounting height up to 4 m. Reach: 12 m.

Technical specifications

Dimensions (L x W x H)	61 x 103 x 103 mm
With motion detector	Yes
Manufacturer's Warranty	5 years
Settings via	Bluetooth Mesh
With remote control	No
Version	DALI-2 Input Device - concealed
PU1, EAN	4007841086619
Type	Presence detector
Application, place	Indoors
Application, room	function room / ancillary room, kitchenette, stairwell, WC / washroom, Indoors
Colour	white
Colour, RAL	9003
Includes corner wall mount	No
Installation site	ceiling
Package content	1
Installation	Concealed wiring, Ceiling

Mounting height max.	4,00 m
Optimum mounting height	2,8 m
HF-system	5,8 GHz
Detection	also through glass, wood and stud walls
Detection angle	360 °
Angle of aperture	160 °
Sneak-by guard	Yes
Capability of masking out individual segments	No
Electronic scalability	Yes
Mechanical scalability	No
Reach, radial	Ø 12 m (113 m ²)
Reach, tangential	Ø 12 m (113 m ²)
Transmitter power	< 1 mW
Twilight setting	2 – 2000 lx
Basic light level function	No
Main light adjustable	No

HF 360-2

DALI-2 Input Device - concealed
EAN 4007841 086619
Article number 086619



Technical specifications

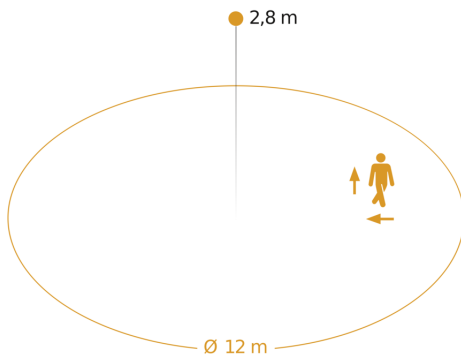
IP-rating	IP20
Ambient temperature	from -25 up to 50 °C
Material	Plastic
Mains power supply	12 – 23 V
Power supply, detail	DALI bus
With bus coupling	Yes
Technology, sensors	High frequency, Light sensor, Temperature, Air humidity
Mounting height	2,5 – 4 m

Twilight setting TEACH	No
Constant-lighting control	No
Interconnection	Yes
Interconnection via	Bluetooth Mesh
Max. Current consumption according to IEC 62386-101	84 mA
Typical current consumption at 16V input voltage	21 mA
Max. Current consumption at 10V input voltage in regular operation	38 mA
Product category	Presence detector

HF 360-2

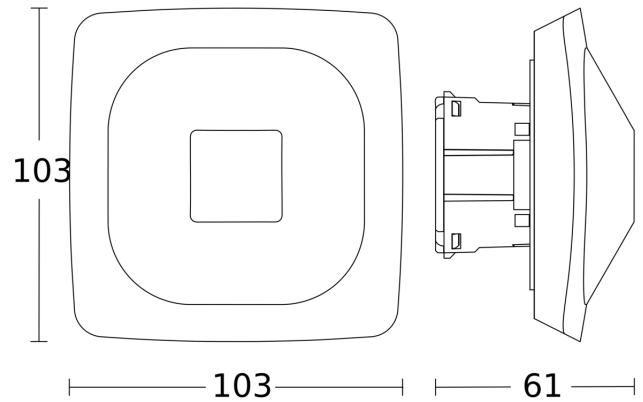
DALI-2 Input Device - concealed
EAN 4007841 086619
Article number 086619

Detection Zone



Possible mounting height: 2,50 m - 4,00 m
Orange: radial and tangential

Dimension Drawing



Circuit diagram

